

PARTS LIST

FOR THE

XL8 AIR RING TYER

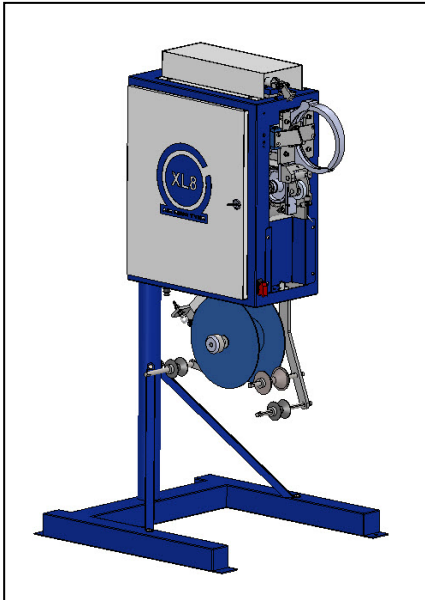


TABLE OF CONTENTS

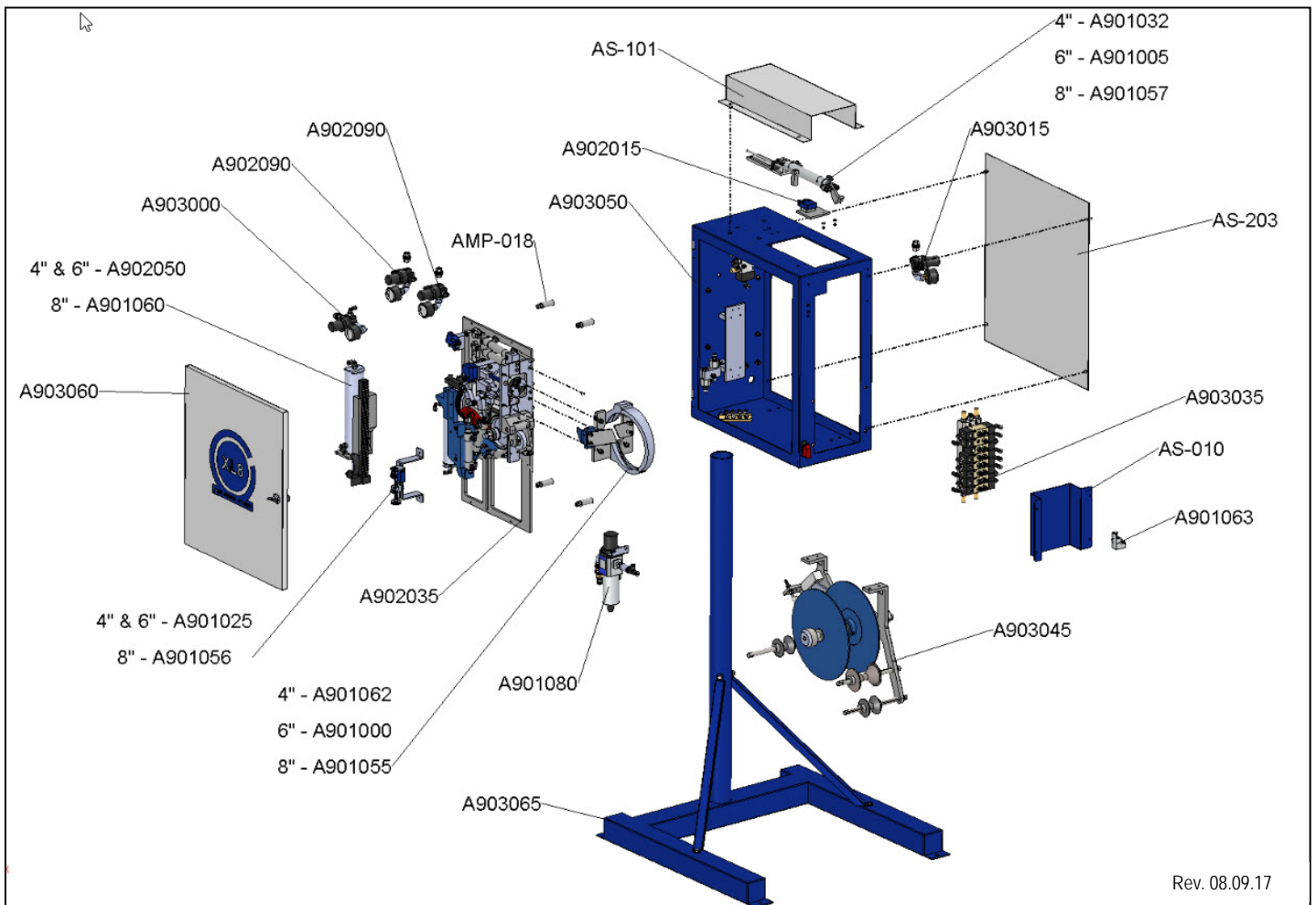
XL8 PARTS LIST

XL8 (4", 6", 8") 530-4 / 530-6 / 530-8.....	3
XL8 BACK MOUNTING PLATE ASSEMBLY MASTER (A902035)	4
LIMIT SWITCH ACTUATOR ASSEMBLY (A901053)	5
PRESSURE WHEEL ASSEMBLY (A901070)	6
CYLINDER ASSEMBLY #3, 4 & 6 (A902060)	7
GRIPPER CYLINDERS ASSEMBLY (A902065)	8
CYLINDER #7 MOUNTING ASSEMBLY (A902075).....	9
XL8 CYLINDER #5 ASSEMBLY (A902080).....	10
FACE PLATE ASSEMBLY (A902085)	11
CHUTE ASSEMBLY ¼ (A903055).....	12
PINION GEAR ASSEMBLY (A902095).....	13
TWISTER HEAD ASSEMBLY (A903030).....	14
BACK PLATE ASSEMBLY (A903040).....	15
XL8 RING CYLINDER #1 ASSEMBLY (A901032: 4" / A901005: 6" / A901057: 8")	16
XL8 RING ASSEMBLY (A901062: 4" / A901000: 6" / A901055: 8")	17
XL8 SWITCH "A" ASSEMBLY 4" AND 6" (A901025).....	18
XL8 MAIN FILTER REGULATOR ASSEMBLY (A901080)	19
XL8 TRIGGER ASSEMBLY (A901020).....	20
NO BACK ASSEMBLY (A901063)	21
XL8 FULL BRAKE ASSEMBLY (A903045)	22

XL8 (4", 6", 8") 530-4 / 530-6 / 530-8

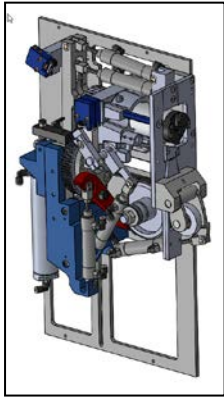


PART #	DESCRIPTION	QTY.	PART #	DESCRIPTION	QTY.
56805	1/4 Split Lock Washer	12	A903050	XL8 Cabinet Assembly	1
56810	1/4" Flat Washer	6	A903060	XL8 Front Door Assembly	1
506337	#10 Split Lock Washer	2	A903065	XL8 Pedestal Assembly	1
A901000	Face Plate & 6" Ring Assembly	1	AMA-008	Air Valve Manifold Assembly	1
A901005	6" Ring Cylinder #1 Assembly	1	AMP-010	Shield Guard	1
A901020	XL8 Trigger Assembly	1	AMP-018	Mounting Plate Spacer	4
A901025	Switch "A" Assembly	1	AS-010	Front Guard Cover	1
A901032	6" Ring Cylinder #1 Assembly	1	AS-101	XL8 Top Lid Cover	1
A901055	Face Plate & 8" Ring Assembly	1	AS-203	Stationary Side Door	1
A901057	6" Ring Cylinder #1 Assembly	1	FP-110	Trigger Arm Shell	1
A901062	Face Plate & 4" Ring Assembly	1	P001080	1/4 - 20 Hex Nut	6
A901063	XL8 No Back Assembly	1	P001430	#8 Flat Washer	2
A901080	Main Fileter Regulator Assembly	1	P005010	6-32 x 1-1/4 Socket Head Cap Screw	4
A902015	A1 Switch Assembly	1	P005065	8-32 X 1/2" Socket Head Cap Screw	4
A902035	XL8 Back Mounting Plate	1	P005295	10-32 x 5/16 Button Cap Screw	14
A902050	Cylinder # 2 Complete Assembly	1	P005327	10-32 X 1/2 Flat Head Socket Screw	4
A902090	Gripper Pressure Regulator Assembly	2	P005410	#6 Split Washer	4
A903000	Gripper Pressure Regulator Assembly	1	P007060	1/4-20 x 3/4 Socket Head Cap Screw	6
A903015	Ring Pressure Regulator Assembly	1	P008060	#8 Split Lock Washer	4
A903045	XL8 Full Brake Assembly - 4" & 6" Rings	1			



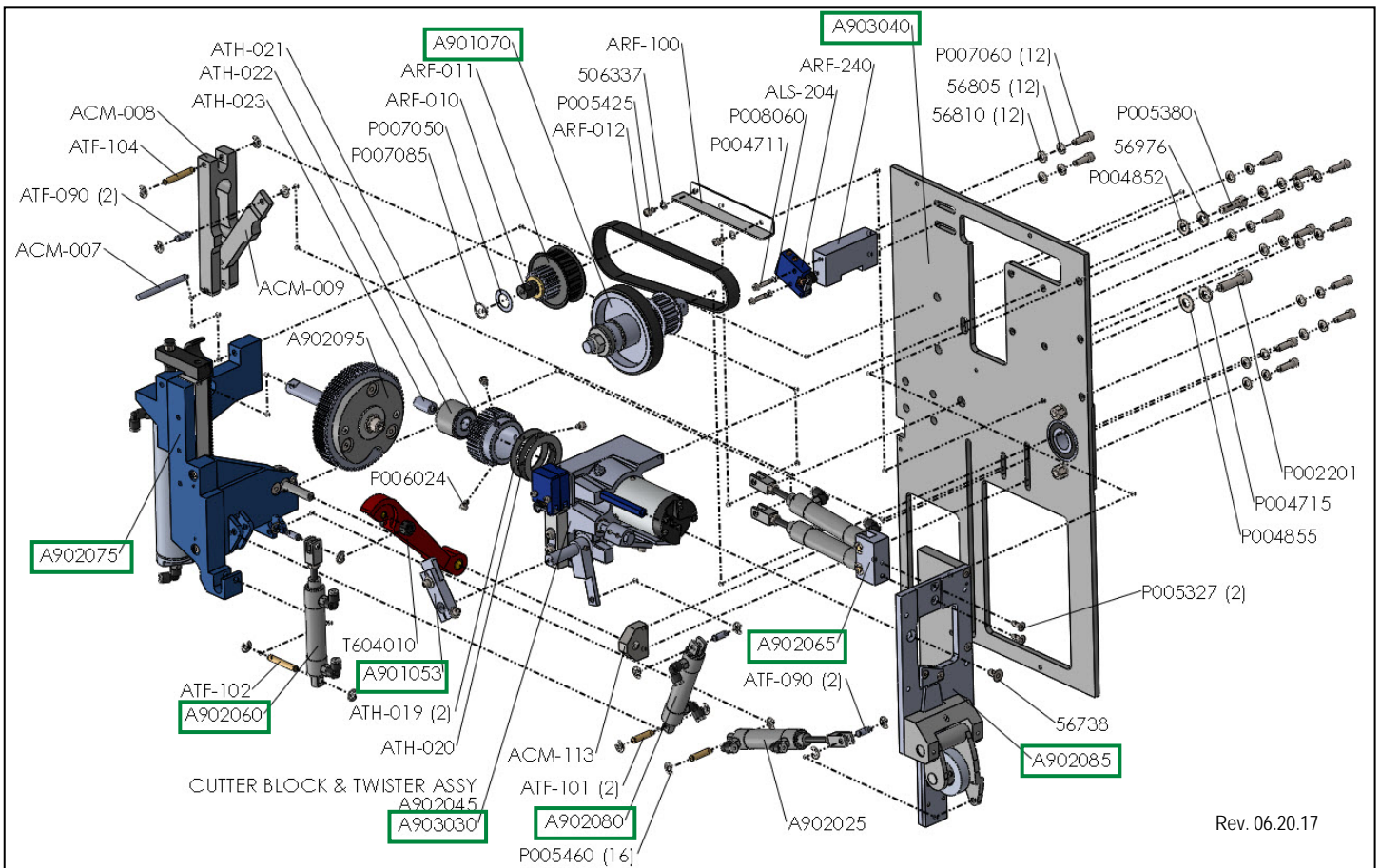
Rev. 08.09.17

XL8 BACK MOUNTING PLATE ASSEMBLY MASTER (A902035)

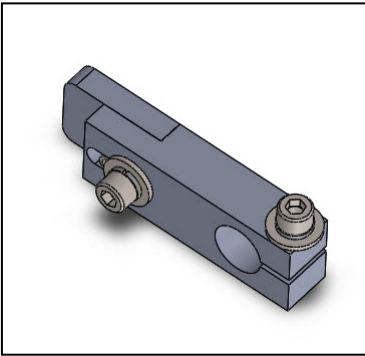


PART #	DESCRIPTION	Qty
56738	XL8 1/4-20 x 1/2 Flat Head Socket Cap Screw Stainless Steel	1
56802	XL8 #10 Flat Washer	2
56805	XL8 1/4 Split Lock Washer Stainless Steel	13
56810	XL8 1/4 Flat Washer	18
56976	XL8 5/16 Split Lock Washer Steel Zinc Plated	1
506337	XL8 #10 Split Lock Washer Stainless Steel	2
A901053	XL8 Limit Switch Actuator Assembly	1
A901054	XL8 Switch "B" Assembly	1
A901070	XL8 Pressure Wheel Assy	1
A902025	XL8 Cylinder # 8 Assembly	1
A902045	XL8 Cutter Block Assembly	1
A902060	XL8 Cylinder Assembly #3, 4 & 6	1
A902065	XL8 Gripper Cylinders Assembly	1
A902075	XL8 Cylinder #7 Mounting Assembly	1
A902080	XL8 Cylinder #5 Assembly	1
A902085	XL8 Face Plate Assembly	1
A902095	XL8 Pinion Gear Assembly	1
A903030	XL8 Twister Head Assembly	1
A903040	XL8 Back Plate Assembly	1
ACM-007	XL8 Gripper Actuator Hinge Pin	1
ACM-008	XL8 #1 Gripper Activator	1
ACM-009	XL8 #2 Gripper Activator	1
ACM-113	XL8 Support Block Twister	1
ALS-204	XL8 Limit Switch	1
ARF-010	XL8 Pinion Gear Shaft	1
ARF-011	XL8 Pulley Gear Cluster	1
ARF-012	XL8 Timing Belt	1
ARF-100	XL8 Belt Cover Bracket	1
ARF-240	XL8 Limit Switch Mounting Bkt	1

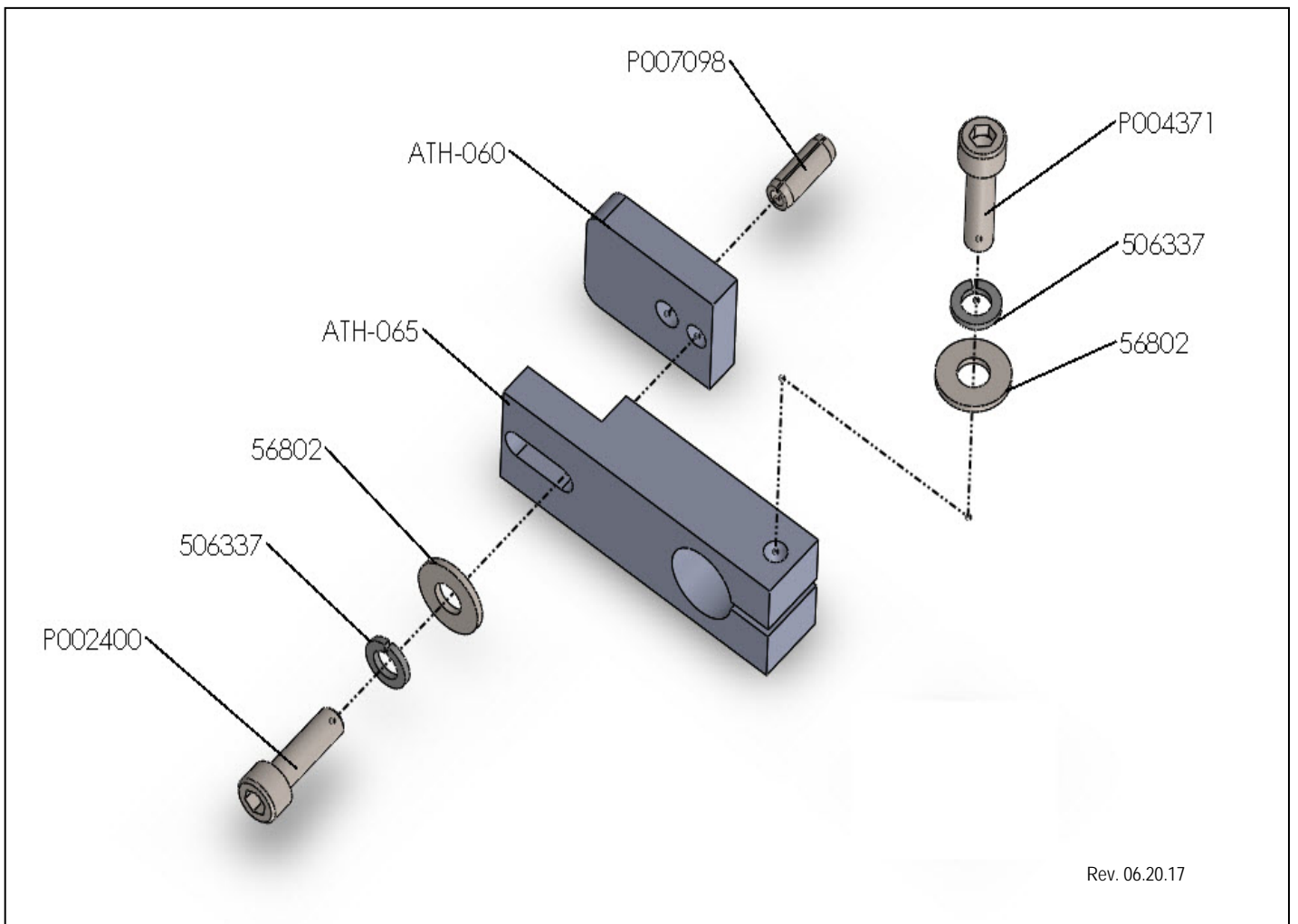
PART #	DESCRIPTION	Qty
ATF-090	XL8 Clevis Pin	4
ATF-101	XL8 Clevis Pin	2
ATF-102	XL8 Clevis Pin 1.6"	1
ATF-104	XL8 Clevis Pin	1
ATH-019	XL8 Thrust Washer 1/32	2
ATH-020	XL8 Thrust Needle Cage Assy	1
ATH-021	XL8 Twist Head Barrel Gear	1
ATH-023	XL8 Bullet	1
ATH-025	XL8 Thrust Washer	1
FP-006	XL8 Spacer For XL8	1
P001952	XL8 3/8-16 x 7/8 Socket Head Cap Screw Stainless Steel	1
P002201	XL8 3/8-16 x 1-1/4 Socket Head Cap Screw Stainless Steel	1
P002400	XL8 10-32 x 5/8 Socket Head Cap Screw Stainless Steel	2
P004711	XL8 8-32 x 3/4 Socket Head Cap Screw Stainless Steel	2
P004715	XL8 3/8 Split Lock Washer	2
P004852	XL8 1/4 USS Flat Washer Steel Zinc Plated	1
P004855	XL8 3/8 Flat Washer Stainless Steel	2
P005327	XL8 10-32 x 1/2 Flat Head Socket Cap Screw Stainless Steel	2
P005380	XL8 5/16-18 x 1 Socket Head Cap Screw Stainless Steel	1
P005425	XL8 10-32 x 1/4 Socket Head Cap Screw Stainless Steel	2
P005460	XL8 1/4 Side Mount External Retaining Ring Stainless Steel	16
P006024	XL8 5/16-18 X 5/16 Cone Point Set Screw Stainless Steel	3
P007050	XL8 5/8 X 1 X .020 Flat Washer Stainless Steel	1
P007060	XL8 1/4-20 x 3/4 Socket Head Cap Screw Stainless Steel	13
P007085	XL8 5/8 External Retaining Ring	1
P008045	XL8 3/8 X 1.5 x .065 Flat Washer	2
P008060	XL8 #8 Split Lock Washer	2
T602080	XL8 Activator Assembly	1
T604010	XL8 Cam Follower Mounting Arm Assembly	1



LIMIT SWITCH ACTUATOR ASSEMBLY (A901053)

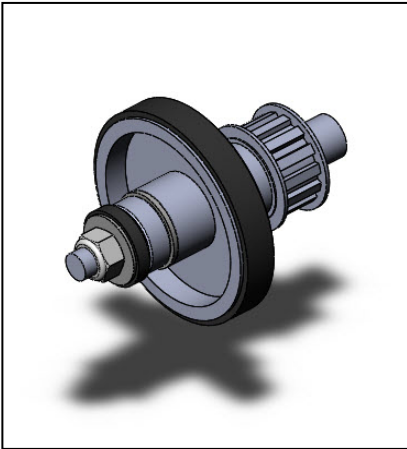


PART #	DESCRIPTION	QTY.
56802	#10 Flat Washer	2
506337	#10 Split Lock Washer	2
ATH-060	Limit Switch Actuator	1
ATH-065	Limit Bracket Switch	1
P002400	10-32 X 5/8 Fine Socket Head Cap Screw	1
P004371	10-32 X 3/4 Socket Head Cap Screw	1
P007098	3/16 X 1/2 Spring Pin	1

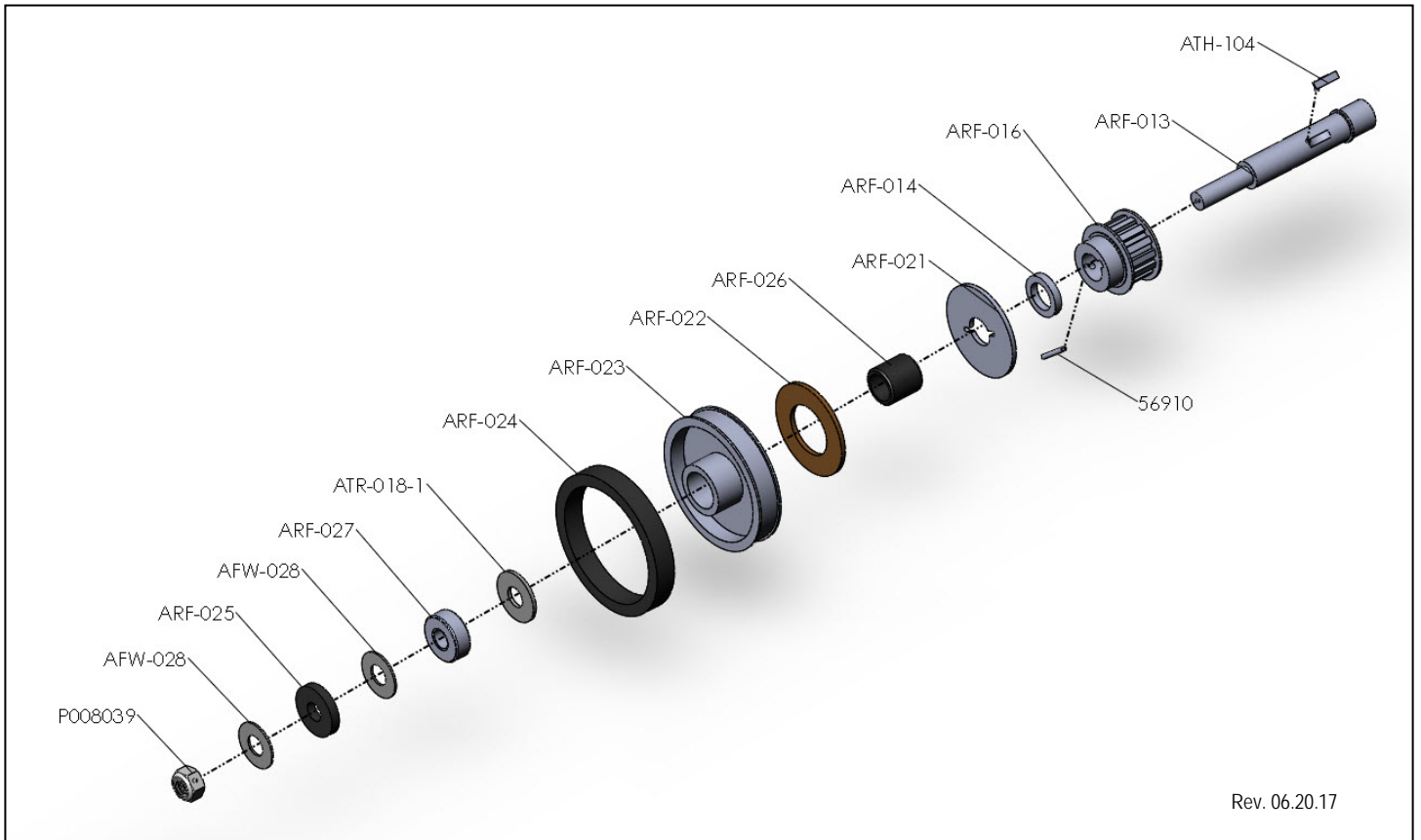


Rev. 06.20.17

PRESSURE WHEEL ASSEMBLY (A901070)



PART #	DESCRIPTION	QTY.
56910	1/8 x 1 Roll Pin	1
AFW-028	18-8 X 1/2 Flat Washer	2
ARF-013	Draw Roll Shaft	1
ARF-014	Spacer	1
ARF-016	Timing Belt Pulley	1
ARF-021	Pressure Plate	1
ARF-022	Friction Disc	1
ARF-023	Draw Wheel	1
ARF-024	Draw Wheel Tire	1
ARF-025	Pressure Washer	1
ARF-026	1 Way Clutch Bearing	1
ARF-027	Ball Thrust Bearing	1
ATH-104	Metal Shim Spacer	1
ATR-018-1	Brake Arm Washer	1
P008039	3/8-16 Nylon Insert Hex Nut	1

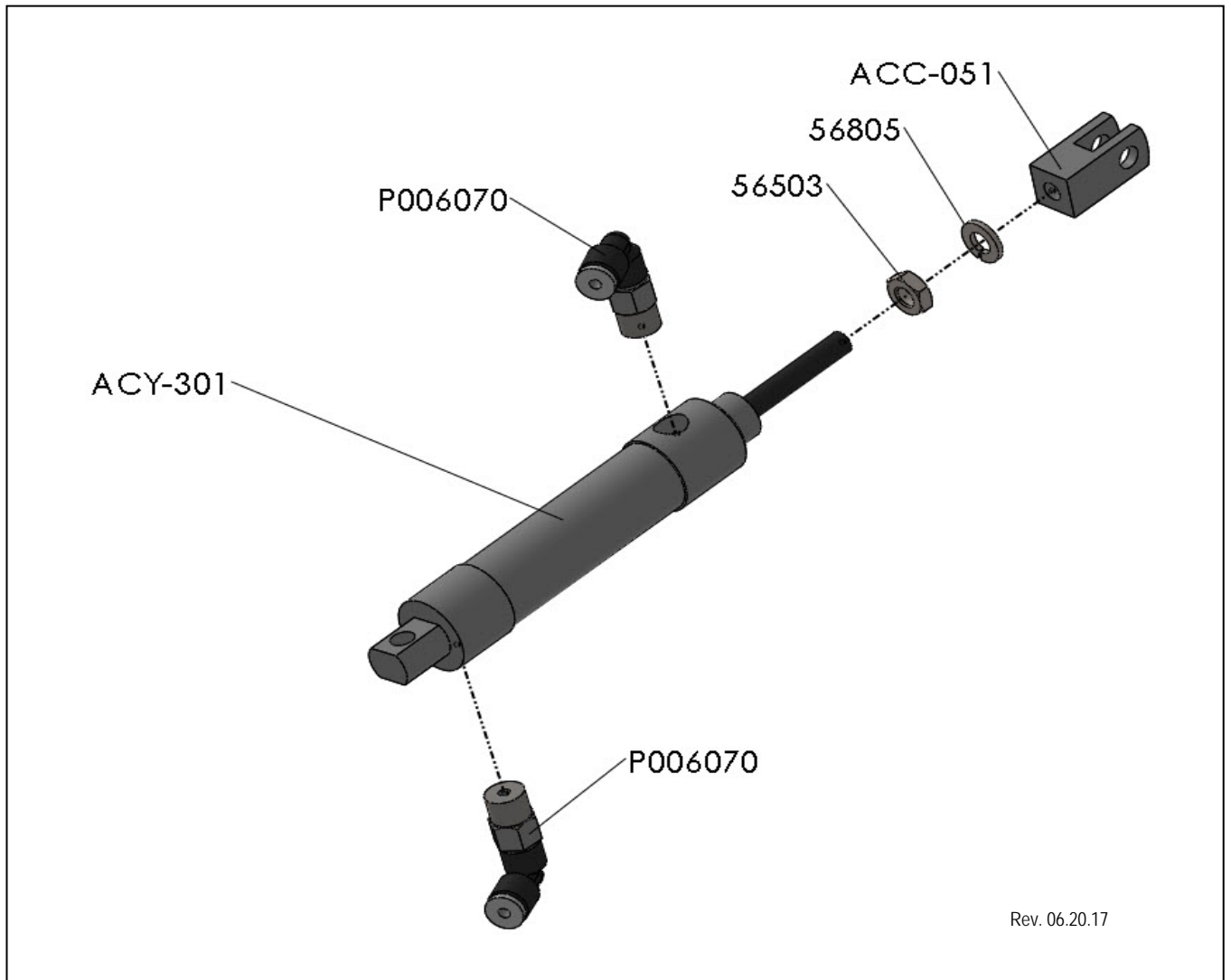


Rev. 06.20.17

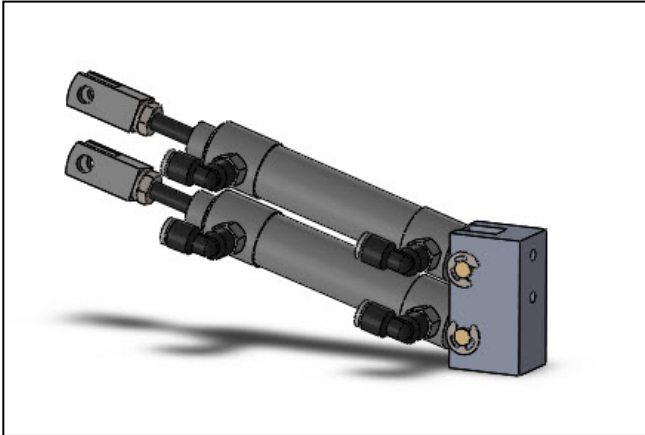
CYLINDER ASSEMBLY #3, 4 & 6 (A902060)



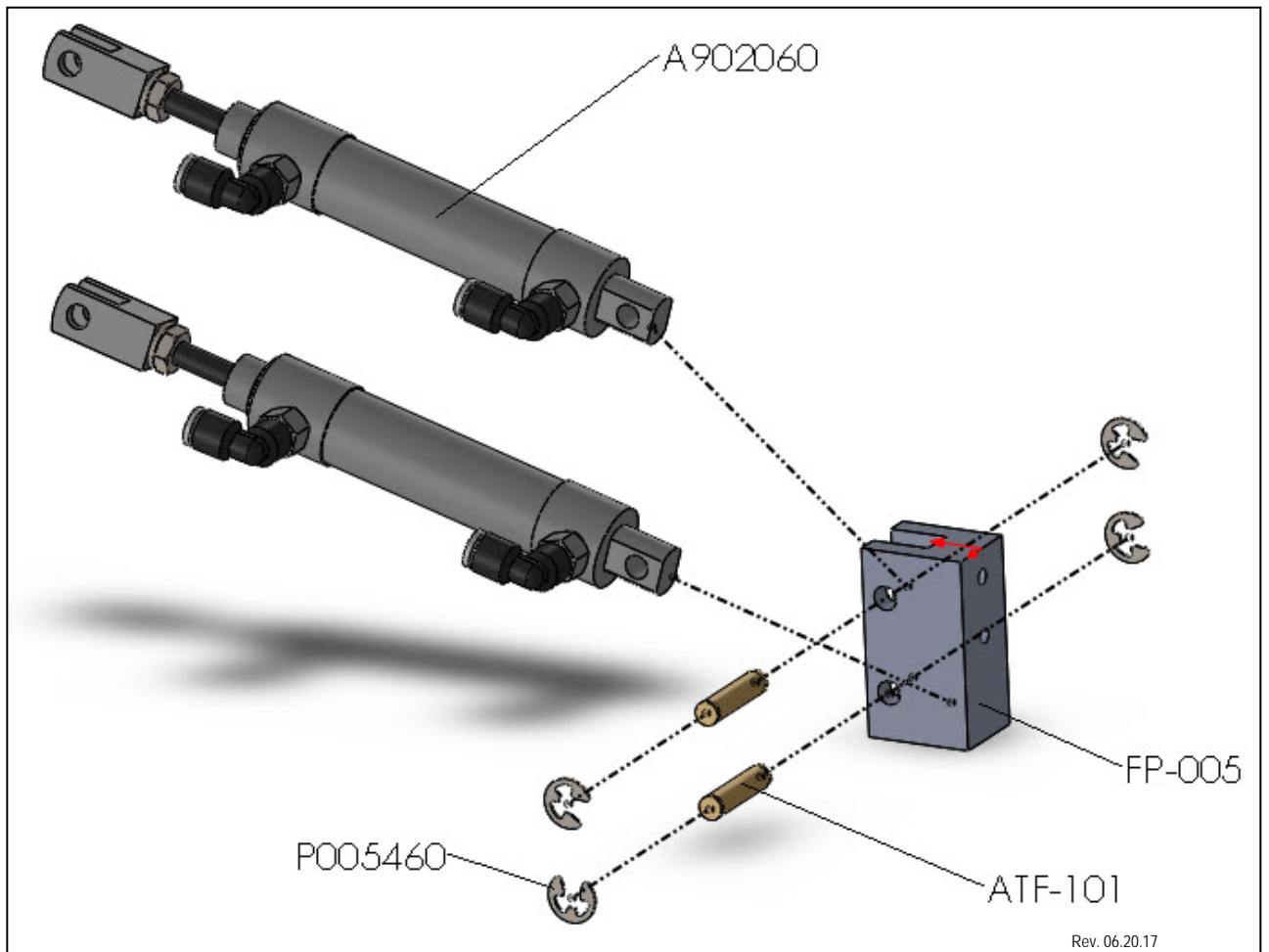
PART #	DESCRIPTION	QTY.
56503	1/4-28 Nut	1
56805	1/4 Split Lock Washer	1
ACC-051	Clevis - 1/4-28 Thread	1
ACY-301	Cylinder for 3, 4, 5 & 6	1
P006070	Straight Tube Fitting	2



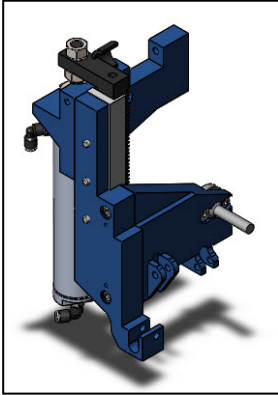
GRIPPER CYLINDERS ASSEMBLY (A902065)



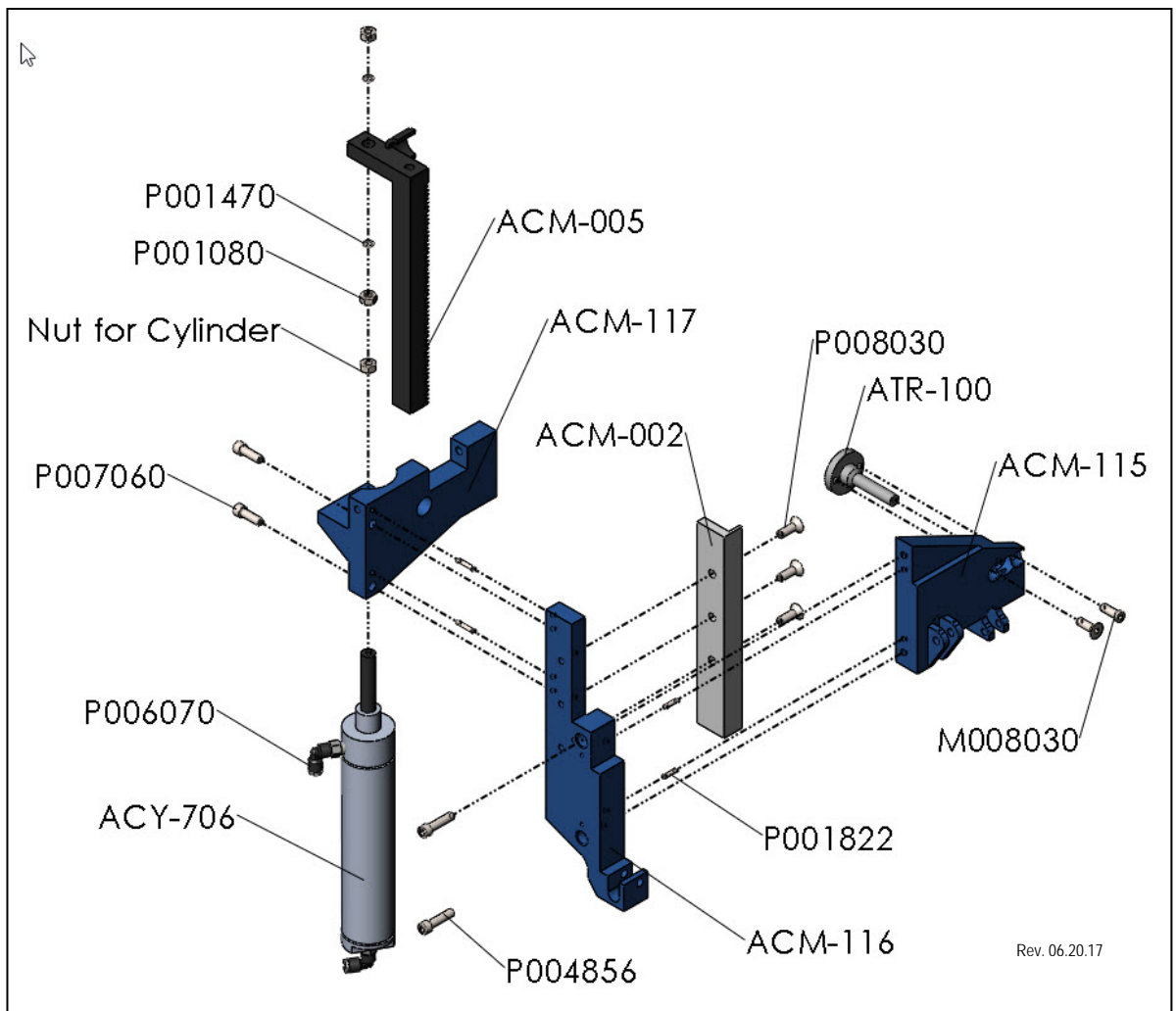
PART #	DESCRIPTION	QTY.
A902060	Cylinder for # 3, 4, 5 & 6	2
ATF-101	Clevis Pin	2
FP-005	Cylinder Mounting Block	1
P005460	1/4" External "E" Retaining Ring	4



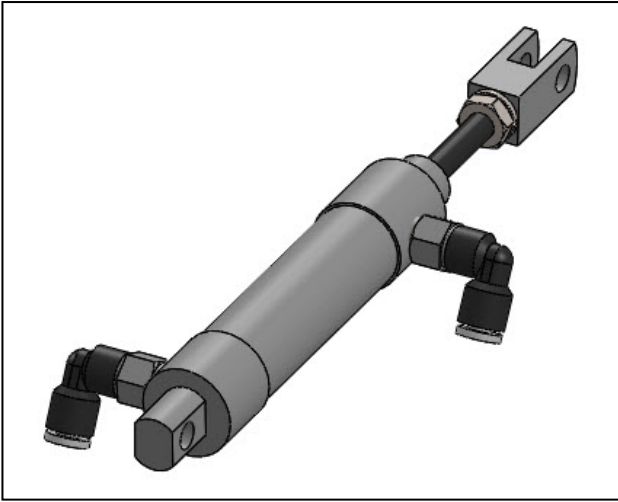
CYLINDER #7 MOUNTING ASSEMBLY (A902075)



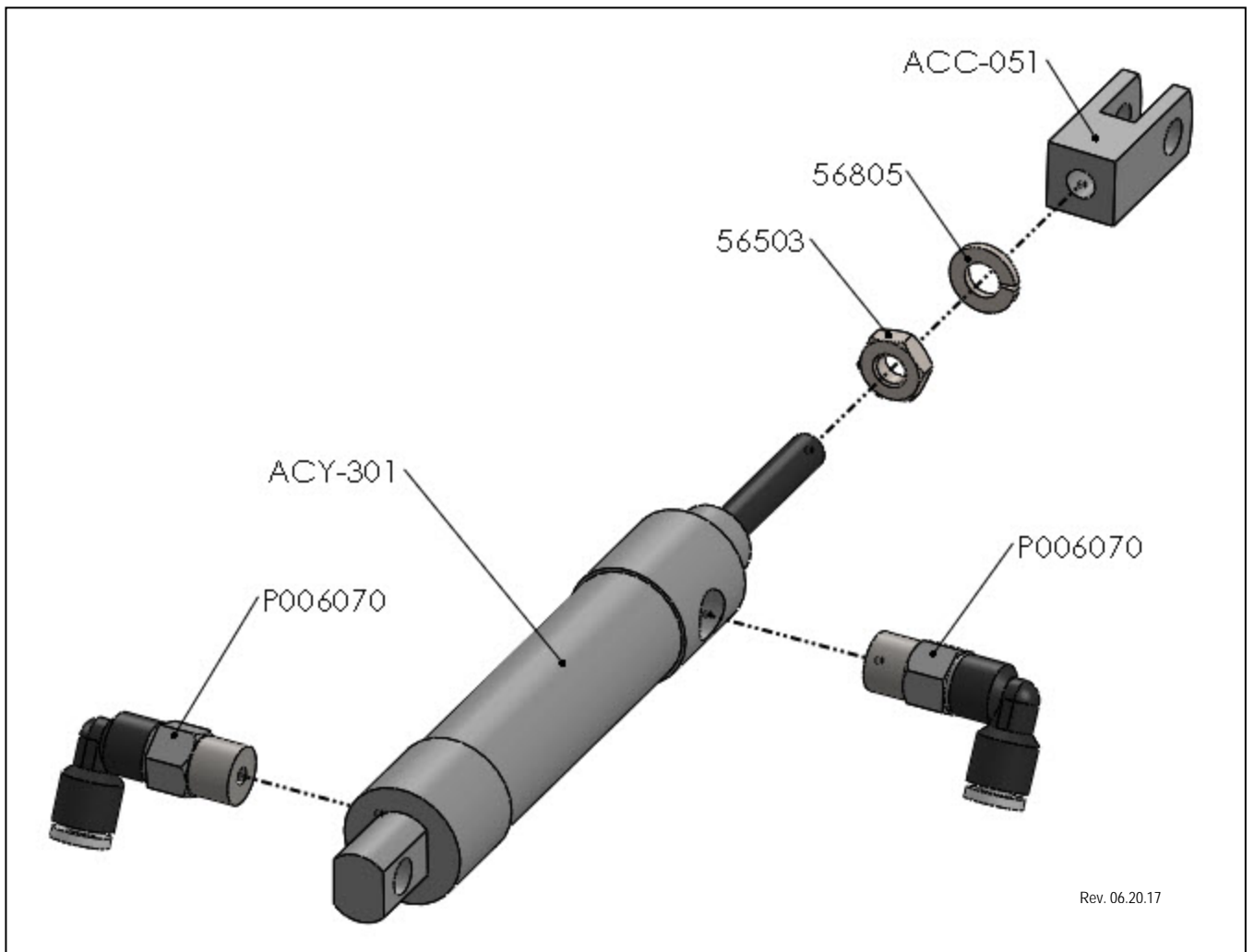
PART #	DESCRIPTION	QTY.
ACM-002	Rack Gear Guide	1
ACM-005	Twister Head Rack Gear	1
ACM-115	Cylinder Mounting Bracket Part 1	1
ACM-116	Cylinder Mounting Bracket Part 2	1
ACM-117	Cylinder Mounting Bracket Part 3	1
ACY-706	Cylinder 7	1
ATR-100	Mounting Plate	1
M008030	1/4-20 x 3/4 Flat Head Socket Cap Screw Modified	1
P001055	7/16-20 x 1/4" Hex Nut	2
P001485	7/16 Lock Washer	2
P001822	1/8 X 1/2 Dowel Pin	4
P004856	1/4-20 X 1" Socket Head Cap Screw	2
P006070	Straight Tube Fitting	2
P007060	1/4-20 x 3/4 Socket Head Cap Screw	2
P008055	1/4-20 x 1" Flat Head Socket Cap Screw	4



XL8 CYLINDER #5 ASSEMBLY (A902080)

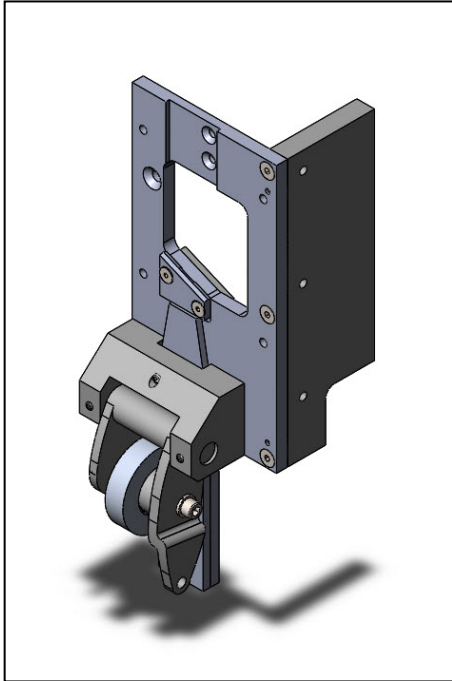


PART #	DESCRIPTION	QTY.
56503	XL8 1/4-28 Nut	1
56805	XL8 1/4 Split Lock Washer	1
ACC-051	XL8 Clevis - 1/4-28 Thread	1
ACY-301	XL8 Cylinder for 3, 4, 5 & 6	1
P006070	XL8 Straight Tube Fitting	2

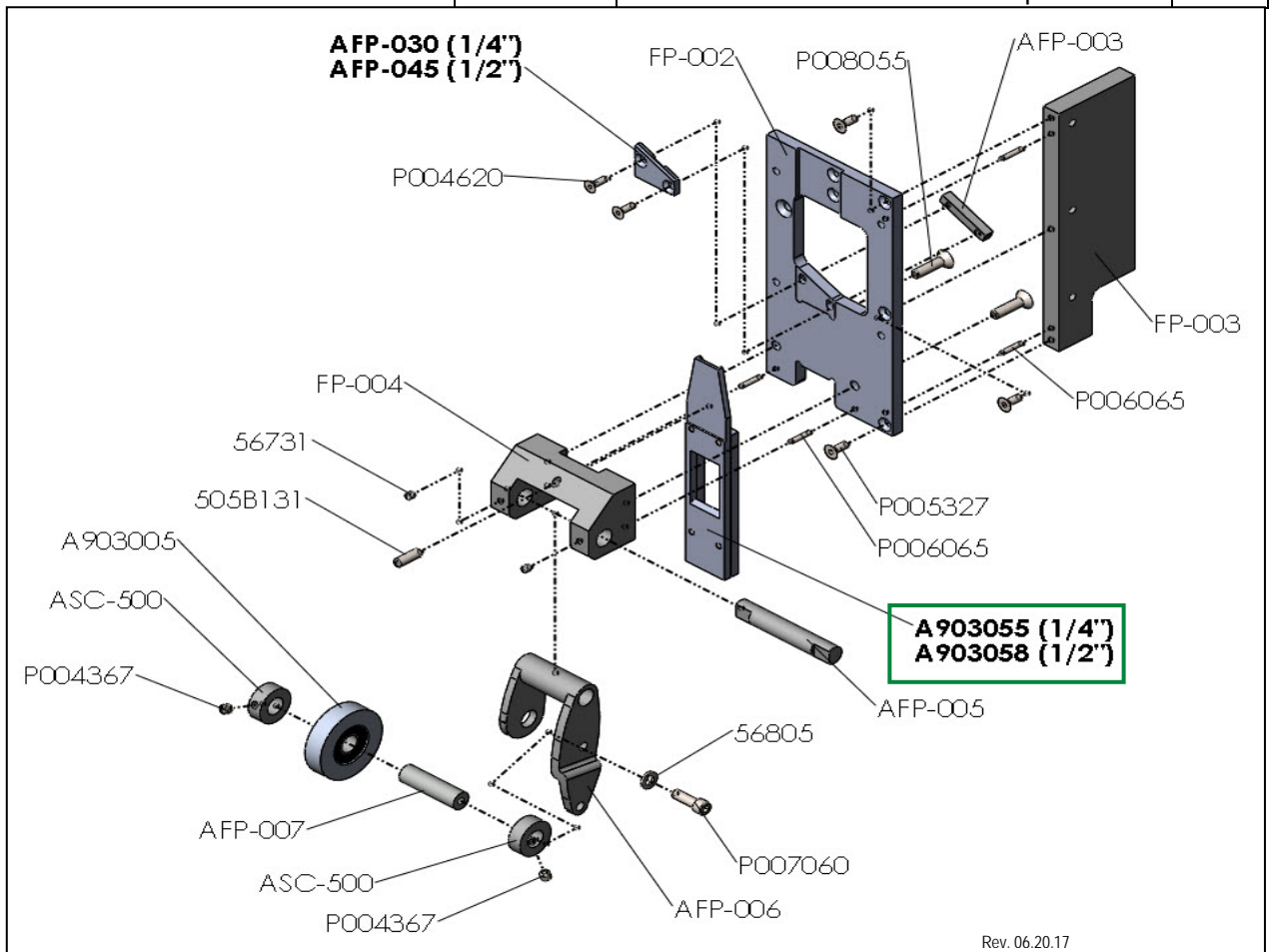


Rev. 06.20.17

FACE PLATE ASSEMBLY (A902085)

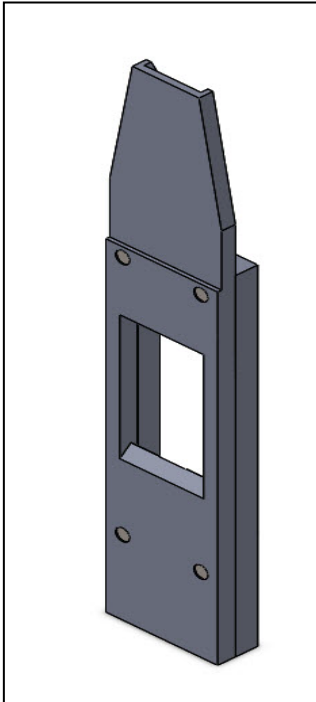


PART #	DESCRIPTION	QTY.
505B131	1/4-20 x 3/4 Cup Point Set Screw	1
56730	10-32 X 3/8 Hex Socket Set Screw	2
56805	1/4 Split Lock Washer	1
A903005	Pressure Wheel XL8 Assembly	1
A903055	Chute 1/4" XL8 Assembly	1
AFP-003	Anvil Mounting Block	1
AFP-005	Pressure Arm Shaft	1
AFP-006	Pressure Arm - Left	1
AFP-007	Pressure Wheel Shaft	1
AFP-030	XL8 Anvil	1
ASC-500	Retaining Coupler	2
FP-002	XL8 Face Plate	1
FP-003	XL8 Mounting Plate	1
FP-004	XL8 Mounting Plate	1
P004367	1/4 -20 x 1/4 Socket Set Screw	2
P004620	8-32 x 1/2" Flat Socket Head Screw	2
P005327	10-32 X 1/2 Flat Head Socket Screw	3
P006065	1/8 X 5/8 Dowel Pin	4
P007060	1/4-20 x 3/4 Socket Head Cap Screw	1
P008030	1/4-20 x 3/4 Flat Head Socket Cap Screw	2

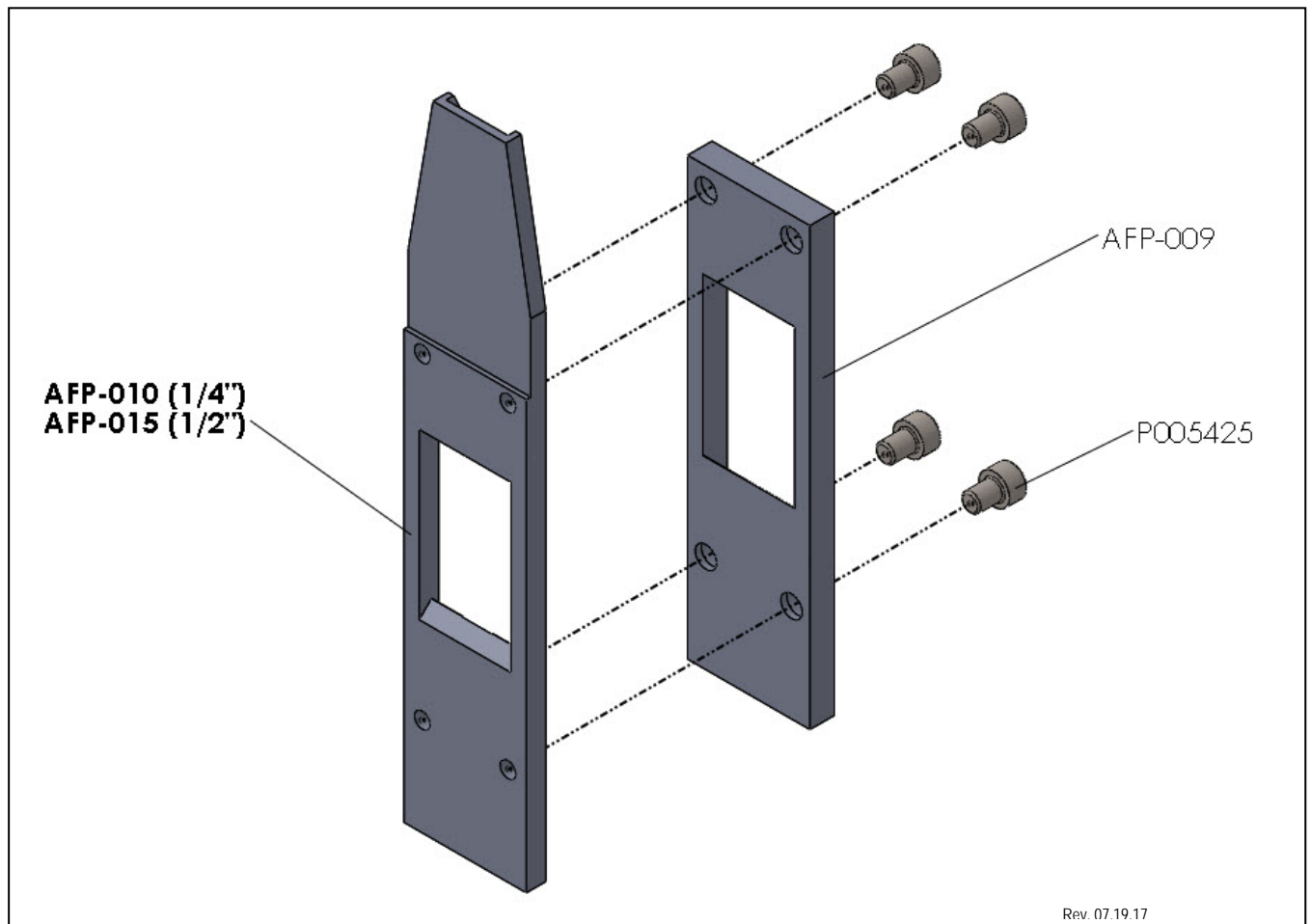


Rev. 06.20.17

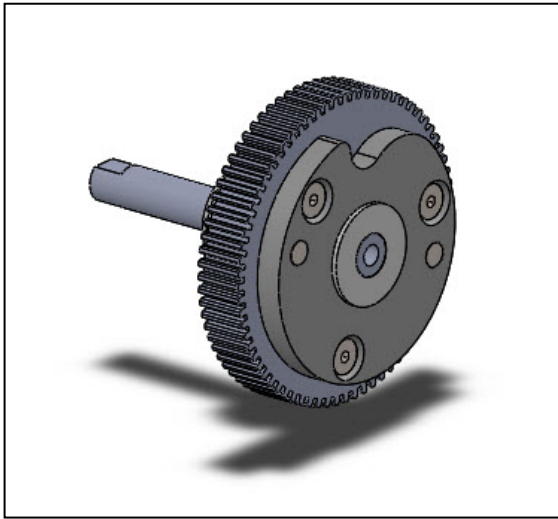
CHUTE ASSEMBLY ¼ (A903055)



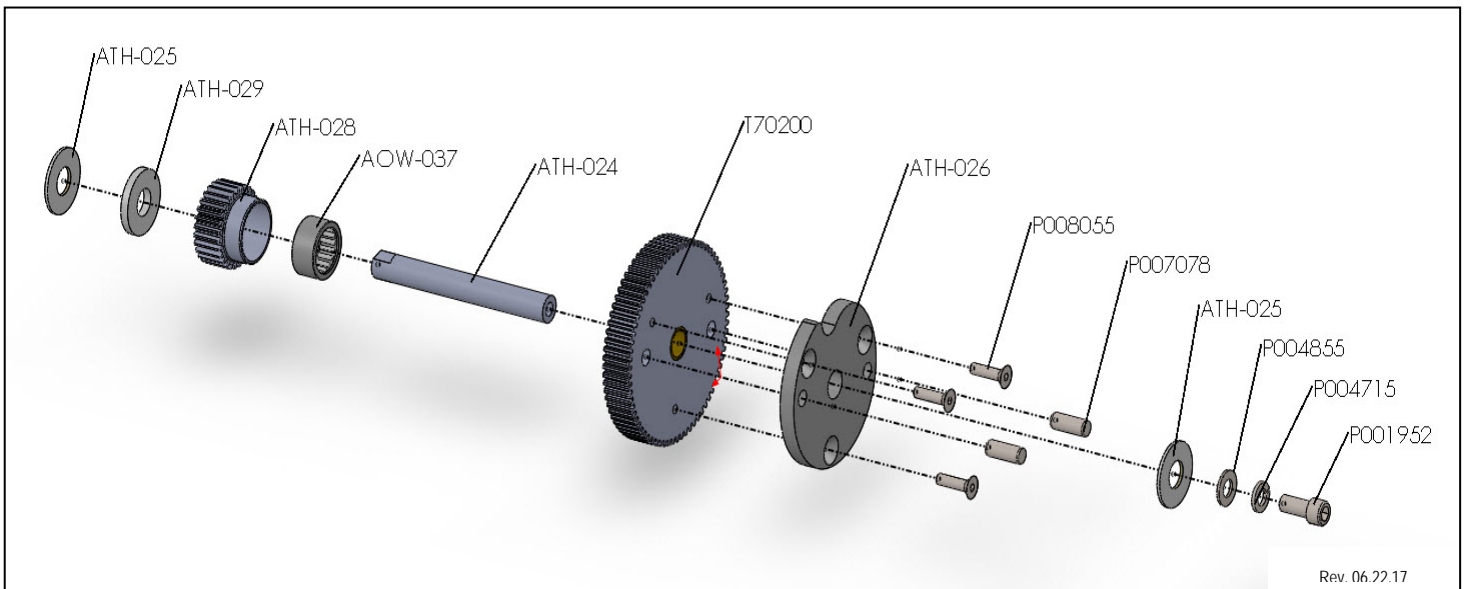
PART #	DESCRIPTION	QTY.
AFP-009	Tape Chute Back	1
AFP-010	XL8 ¼" Front Tape Chute	1
AFP-015	XL8 ½" Front Tape Chute	1
P005425	10-32 x 1/4" Socket Head Cap Screw	4



PINION GEAR ASSEMBLY (A902095)



PART #	DESCRIPTION	QTY.
A901064	Pinion Gear Assembly	1
ATH-024	Cam Gear Shaft	1
ATH-025	Trust Washer	2
ATH-026	Twister Head Cam	1
ATH-029	Plastic Spacer	1
P001952	3/8-16 x 7/8" Socket Head Cap Screw	1
P004715	3/8 Split Lock Washer	1
P004855	3/8 Flat Washer	1
P007078	Dowel Pin 1" x 3/8"	2
P008055	1/4-20 x 1" Flat Head Socket Cap Screw	3
T70200	Twister Head Gear with Bushings	1

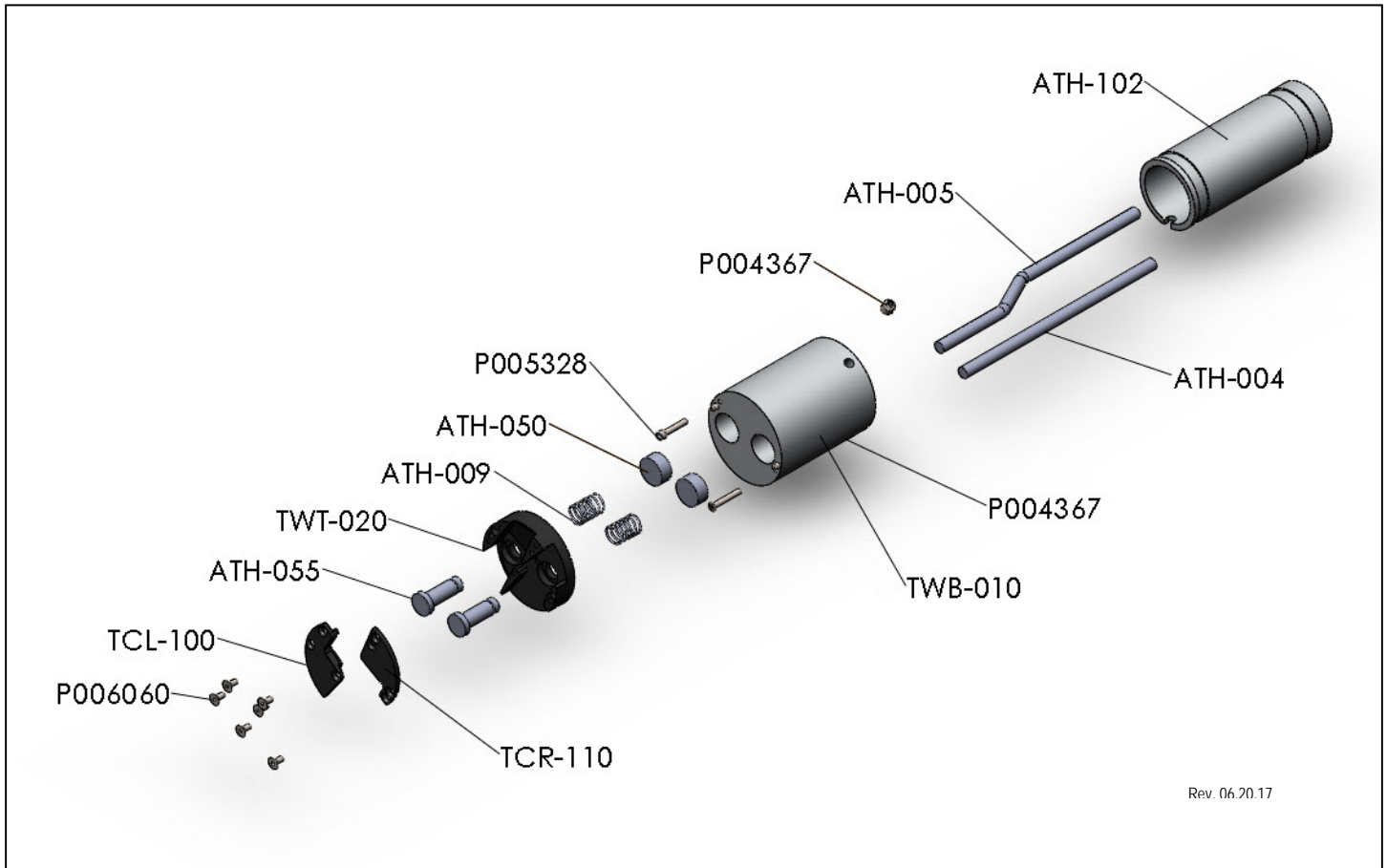


Rev. 06.22.17

TWISTER HEAD ASSEMBLY (A903030)

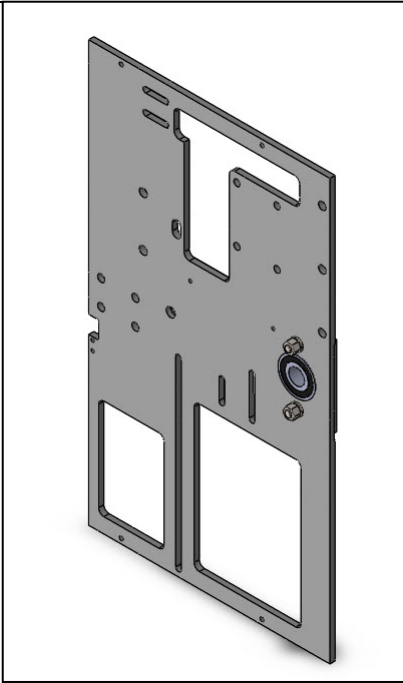


PART #	DESCRIPTION	QTY.
ATH-004	XL8 #1 PUSH ROD	1
ATH-005	XL8 #PUSH ROD	1
ATH-009	XL8 SPRING - GRIPPER RETURN	2
ATH-050	XL8 TWISTER SPACER	2
ATH-055	XL8 PUSHER PIN	2
ATH-102	XL8 TWISTER - SHAFT	1
P004367	XL8 1/4-20 x 1/4 Cup Point Set Screw	3
P005328	XL8 4-40 x 5/8 Socket Head Cap Screw	1
P005460	XL8 1/4 Side Mount External Retaining Ring	2
P006060	XL8 4-40 X 1/4 Flat Head Socket Cap Screw	6
P006065	XL8 1/8 X 5/8 Dowel Pin	2
P007098	XL8 3/16 X 1/2 Roll Pin	1
P008010	XL8 4-40 X 3/4 Philips Head Flat Screw	1
TCL-100	XL8 TWIST - COVER LEFT	1
TCR-110	XL8 Twister Cover Right	1
TWB-010	XL8 Twister Base	1
TWT-020	XL8 Twister Top	1

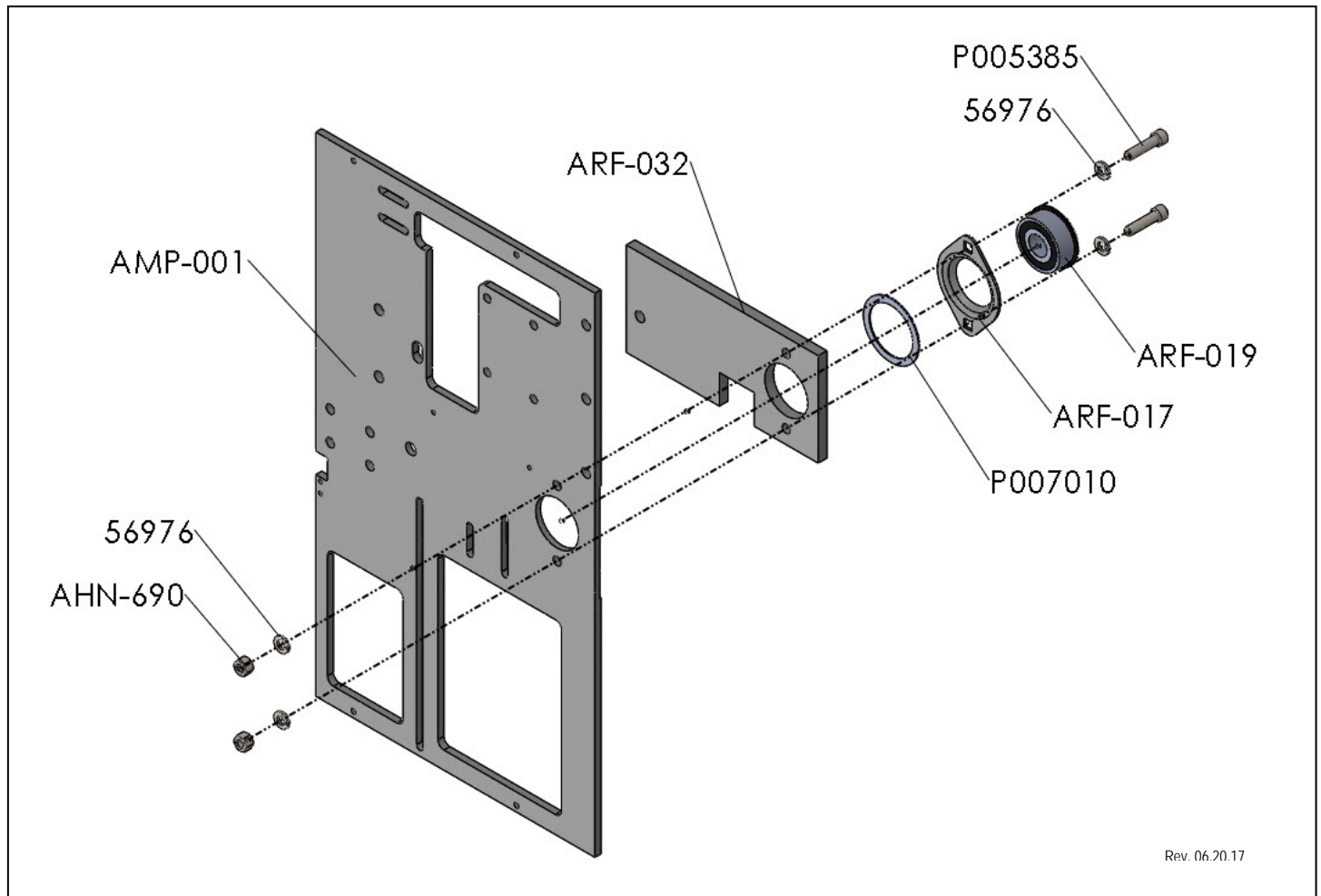


Rev. 06.20.17

BACK PLATE ASSEMBLY (A903040)

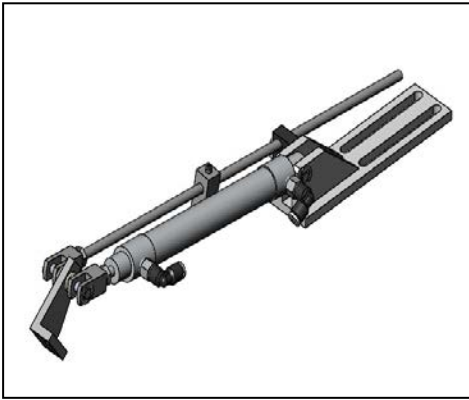


PART #	DESCRIPTION	QTY.
56976	5/16 Split Lock Washer	4
AHN-690	5/16-18 Hex Nut	2
AMP-001	Mounting Plate XL8	1
ARF-017	Bearing Flange	1
ARF-019	Retainer Ball Bearing	1
ARF-032	Backing Plate	1
P005385	5/16-18 x 1 1/4' Socket Head Cap Screw	2
P007010	2.375 x 1.875 x .045 Washer	1

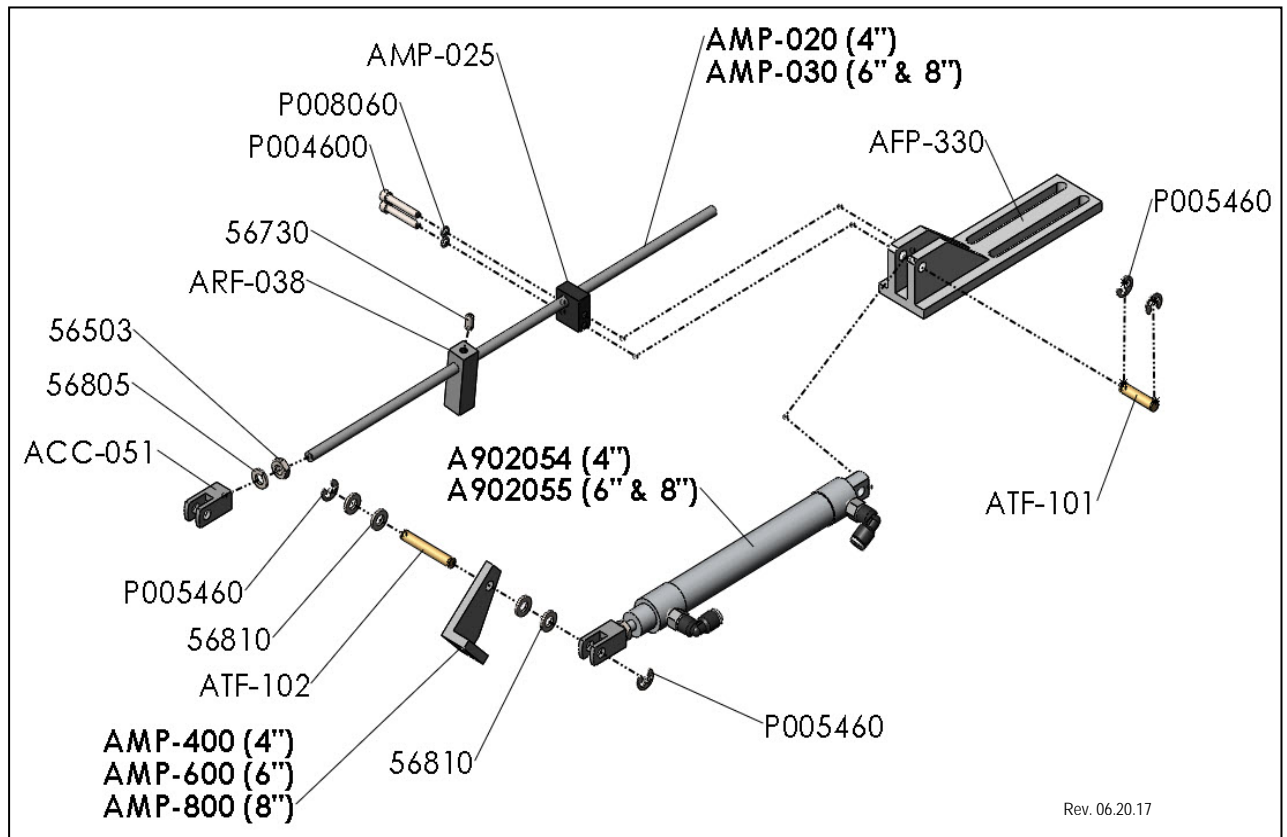


Rev. 06.20.17

XL8 RING CYLINDER #1 ASSEMBLY (A901032: 4" / A901005: 6" / A901057: 8")

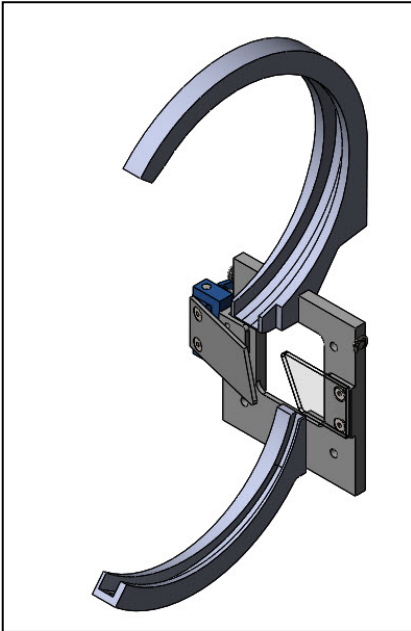


PART #	DESCRIPTION	QTY.
56503	XL8 1/4 - 28 Hex Nut Steel	1
56730	XL8 10-32 x 3/8 Cup Point Set Screw	1
56805	XL8 1/4 Split Lock Washer	1
56810	XL8 1/4 Flat Washer	4
A902054 A902055	XL8 4" Cylinder #1 with Fittings XL8 6" & 8" Cylinder #1 with Fittings	1
ACC-051	XL8 Clevis - 1/4-28 Thread	1
AFP-330	XL8 Ribbon Stop Mounting Plate	1
AMP-025	XL8 Ring Actuator Guide	1
AMP-030	XL8 Rod Actuator for 6 in & 8 in Ring	1
AMP-400 AMP-600 AMP-800	XL8 4" Ring Mounting Bracket XL8 6" Ring Mounting Bracket XL8 8" Ring Mounting Bracket	1
ARF-038	XL8 Valve Actuator For 6" & 8" Rings	1
ATF-101	XL8 Clevis Pin	1
ATF-102	XL8 Clevis Pin 1/6"	1
P004600	XL8 8-32 x 1 Socket Head Cap Screw	2
P005460	XL8 1/4 Side Mount External Retaining Ring	4
P008060	XL8 #8 Split Lock Washer	2

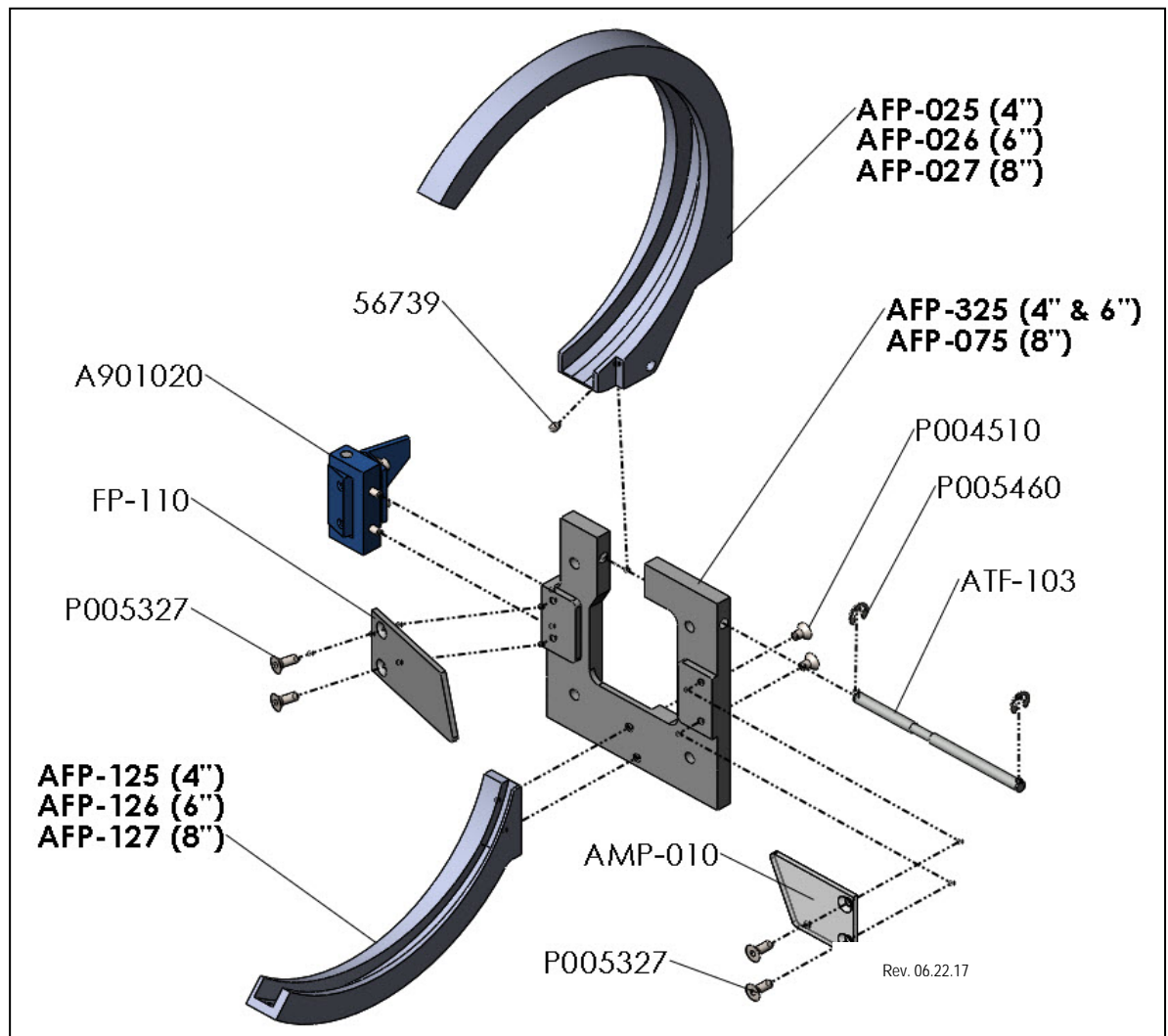


Rev. 06.20.17

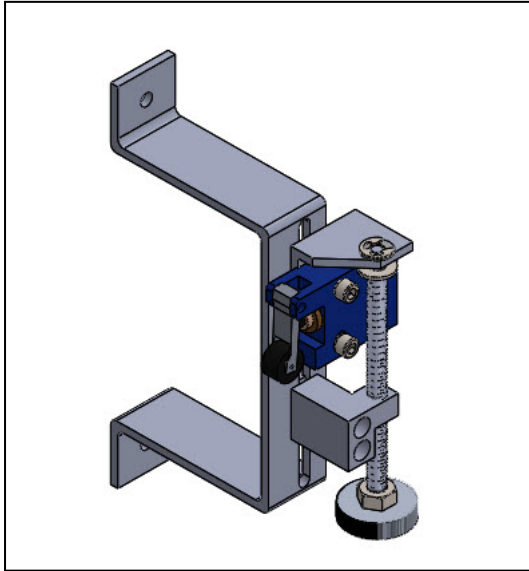
XL8 RING ASSEMBLY (A901062: 4" / A901000: 6" / A901055: 8")



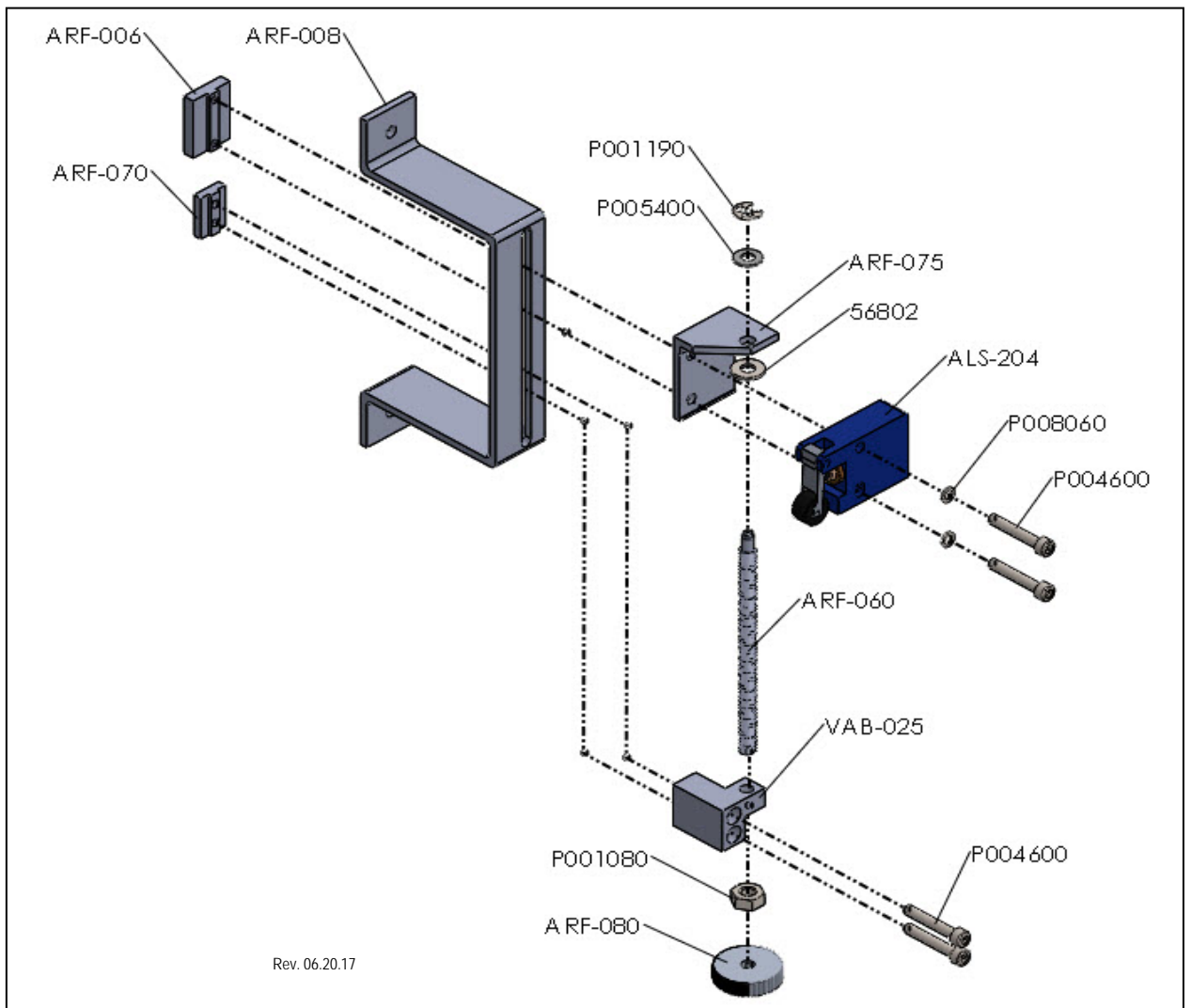
PART #	DESCRIPTION	QTY.
56739	XL8 8-32 X 3/16 Hex Socket Set Screw	1
A901020	XL8 Trigger Assembly	1
AFP-025 AFP-026 AFP-027	XL8 4" Ring Top XL8 6" Ring Top XL8 8" Ring Top	1
AFP-325 AFP-075	XL8 4" & 6" Face Plate XL8 8" Face Plate	1
AFP-125 AFP-126 AFP-127	XL8 4" Ring Bottom XL8 6" Ring Bottom XL8 8" Ring Bottom	1
AMP-010	XL8 Shield Guard	1
ATF-103	XL8 Clevis Pin	1
FP-110	XL8 Trigger Arm Shell	1
P005327	XL8 10-32 X 1/2 Flat Head Socket Screw	4
P005460	XL8 1/4" External "E" Retaining Ring	2
P004510	XL8 10-32 x 3/8 Flat Head Cap Screw	2



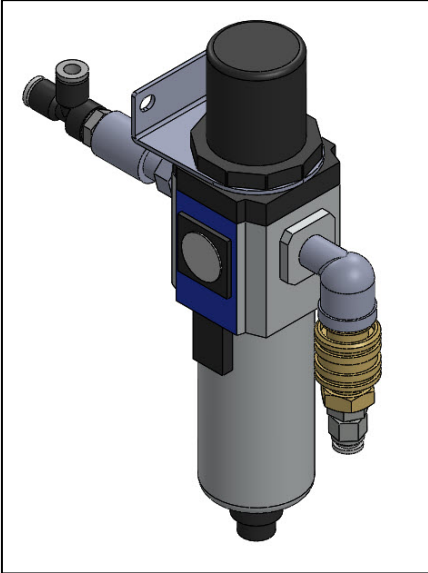
XL8 SWITCH "A" ASSEMBLY 4" AND 6" (A901025)



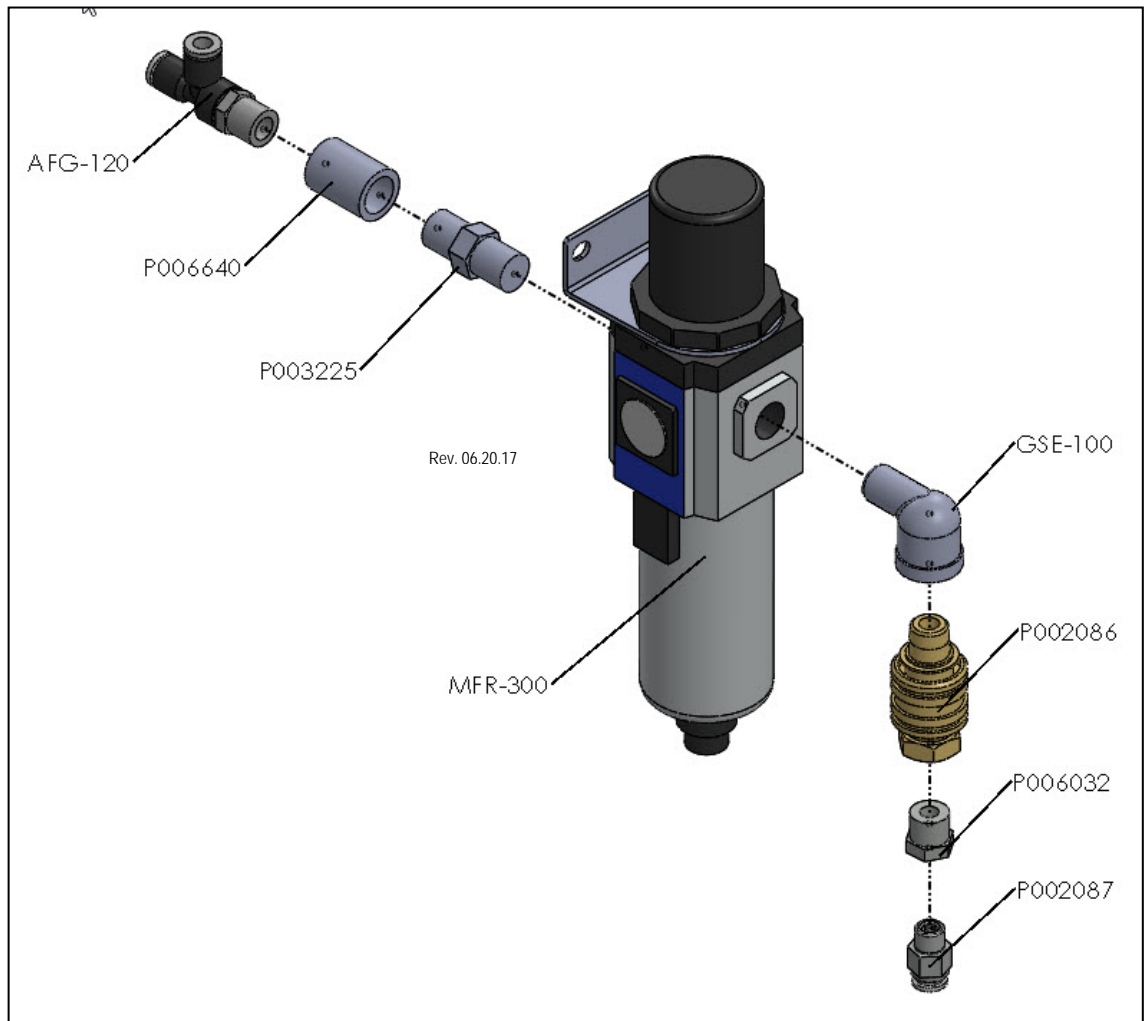
PART #	DESCRIPTION	QTY.
56802	XL8 #10 Flat Washer	1
ALS-204	XL8 Limit Switch	1
ARF-006	XL8 Switch "A" Mounting Plate	1
ARF-008	XL8 Extended Limit Switch Bracket	1
ARF-060	XL8 Switch "A" Rod - Adjust	1
ARF-070	XL8 Nut Plate - Adjust	1
ARF-075	XL8 Angle Bracket	1
ARF-080	XL8 Switch "A" Adjust Wheel	1
P001080	XL8 1/4 - 20 Hex Nut	1
P001190	XL8 0.188 "E" Retaining Ring	1
P004600	XL8 8-32 X 1" Socket Head Cap Screw	4
P005400	XL8 Flat Washer .203 X .433 X .032	1
P008060	XL8 #8 Split Washer	2
VAB-025	XL8 Valve Adjustment Bracket	1



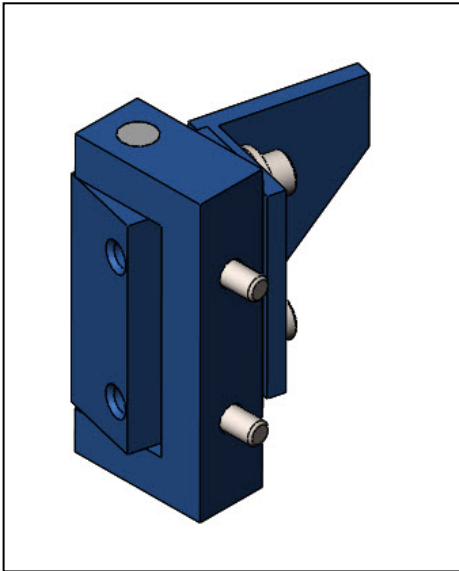
XL8 MAIN FILTER REGULATOR ASSEMBLY (A901080)



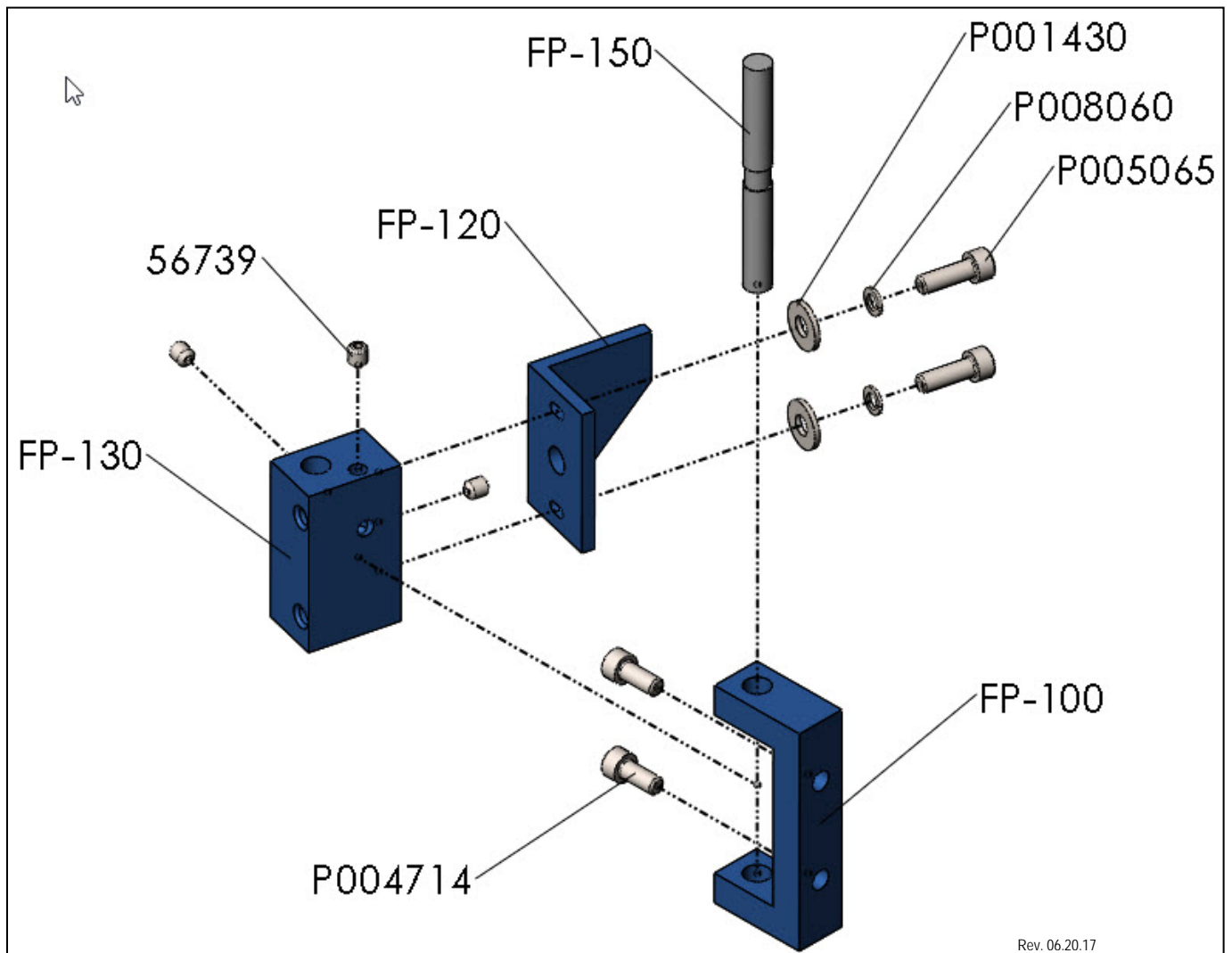
PART #	DESCRIPTION	QTY.
AFG-120	XL8 Large Straight Tube Fitting	1
GSE-100	XL8 1/8 Street Elbow 90'	1
MFR-300	XL8 Main Regulator	1
P002086	XL8 Valve, Hand Slide	1
P002087	XL8 Fitting, Straight, 1/4-U Qs-1/8-1/4-U	1
P003225	XL8 Hex Pipe Nipple	1
P006032	XL8 1/4m X 1/8f Pipe	1
P006640	XL8 1/4 x 1 Pipe Coupling	1



XL8 TRIGGER ASSEMBLY (A901020)

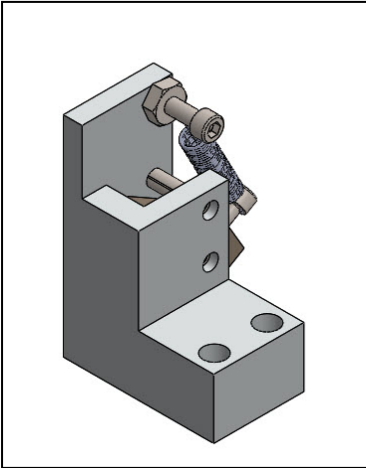


PART #	DESCRIPTION	QTY.
56739	XL8 8-32 X 3/16 Hex Socket Set Screw	3
FP-100	XL8 Trigger Mount	1
FP-120	XL8 Trigger Bracket	1
FP-130	XL8 Trigger Pivot	1
FP-150	XL8 Trigger Pin	1
P001430	XL8 #8 Flat Washer	2
P004714	XL8 8-32 X 3/8 Socket Head Cap Screw	2
P005065	XL8 8-32 X 1/2" Socket Head Cap Screw	2
P008060	XL8 #8 Split Washer	2

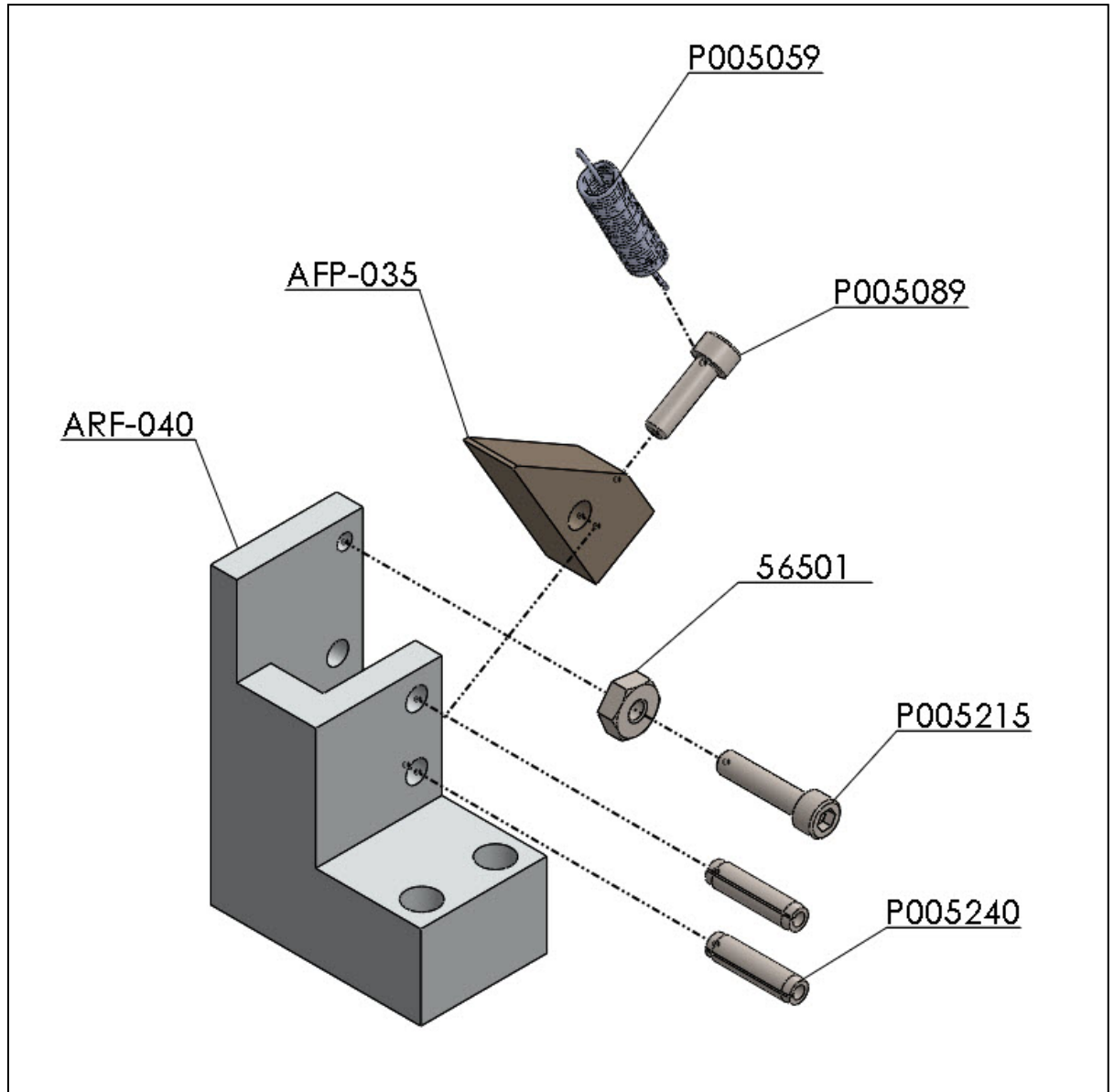


Rev. 06.20.17

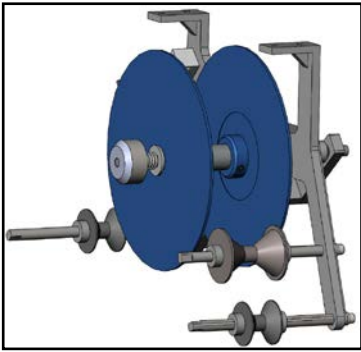
NO BACK ASSEMBLY (A901063)



PART #	DESCRIPTION	QTY.
56501	4-40 Hex Nut	1
AFP-035	No Back Knife	1
ARF-040	No Back Block	1
P005059	No Back Spring	1
P005089	4 - 40 X 3/8" Socket Head Cap Screw	1
P005215	4-40 X 1/2" Socket Head Cap Screw	1
P005240	1/8 X 1/2 Roll Pin	2

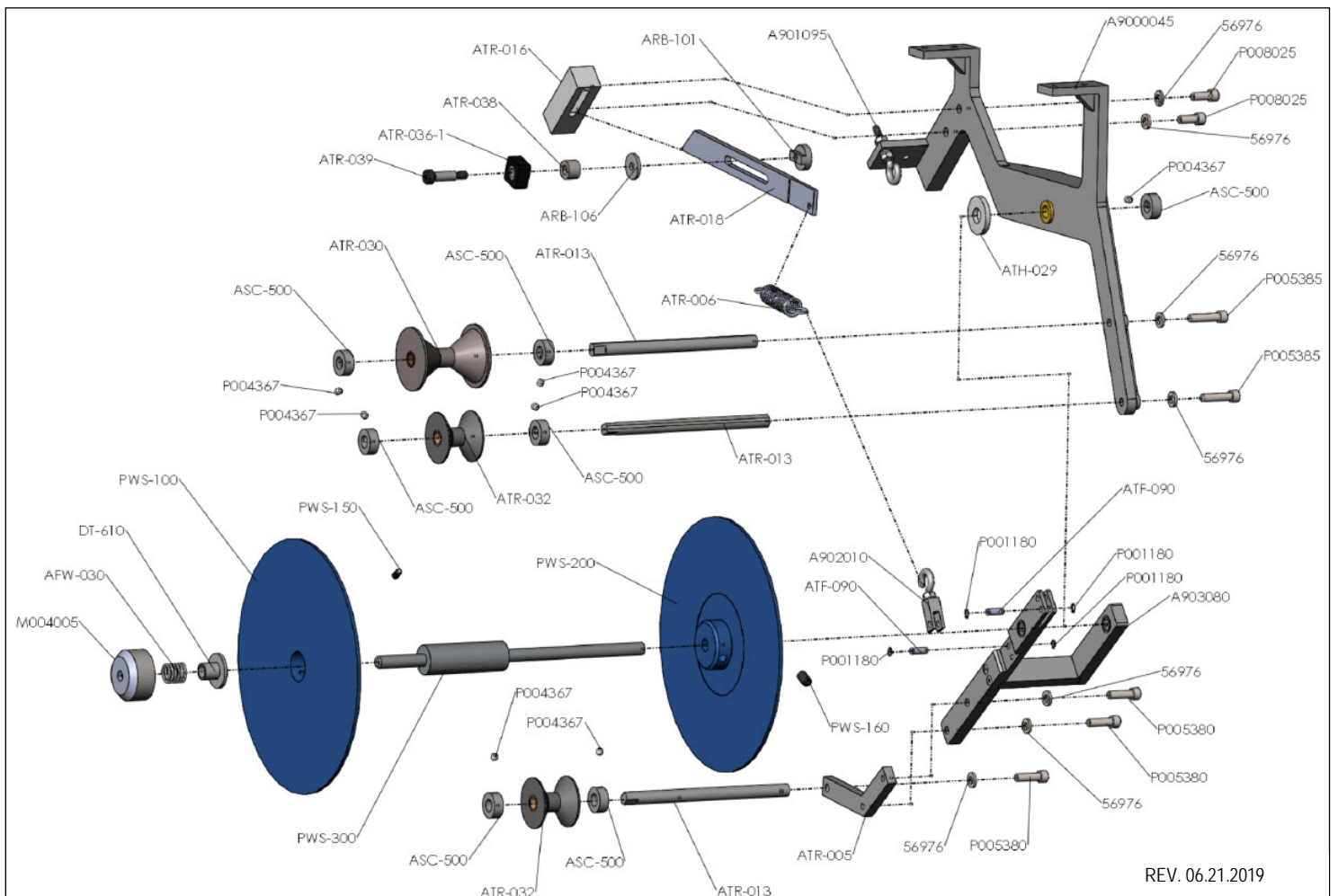


XL8 FULL BRAKE ASSEMBLY (A903045)



PART #	DESCRIPTION	Qty
56976	5/16 Split Lock Washer	7
A900045	Tape Reel Assembly Mount	1
A901095	Brake Arm Eye Bolt Assembly	1
A902010	Brake Arm Eye Bolt w/ Holder	1
A903080	Brake Yoke Assembly	1
AFW-030	Compression Spring	1
ARB-101	Brake Arm Pad Plate	1
ARB-106	Brake Washer	1
ASC-500	1/2" Collar Shaft	7
ATF-090	Clevis Pin	2
ATH-029	Plastic Spacer	1
ATR-005	XL-8 Brake Extension	1
ATR-006	XL-8 Brake Return Spring	1
ATR-013	Brake Spooler Shaft	3
ATR-016	XL-8 Brake Arm Guide	1
ATR-018	Brake Arm	1

PART #	DESCRIPTION	Qty
ATR-030	Roller	1
ATR-032	Small Roller	2
ATR-036-1	Precision Wound Spool Brake Pad	1
ATR-038	XL-8 Brake Spacer	1
ATR-039	3/8" x 1" Socket Shoulder Screw	1
DT-610	Spacer	1
M004005	Knurled Hand Nut	1
P001180	1/4 External Retaining Ring	4
P005380	5/16-18 X 1" Socket Head Cap Screw	3
P005385	5/16-18 x 1 1/4" Socket Head Cap Screw	2
P008025	5/16-18 X 3/4 Socket Head Cap Screw	2
PWS-100	Mounting Plate	1
PWS-150	1/4-20 Set Screw/ Pin	1
PWS-160	3/8-16 x 3/4" Set Screw	1
PWS-200	Mounting Plate	1
PWS-300	Precision Wound Spool Shaft	1



REV. 06.21.2019